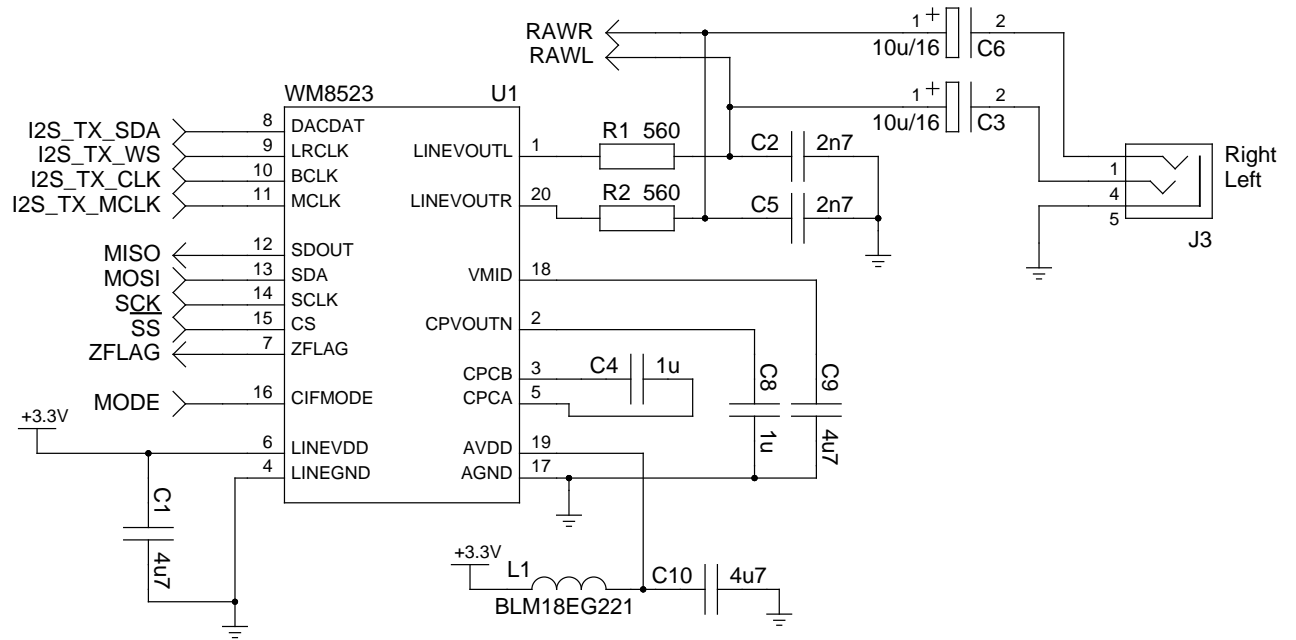
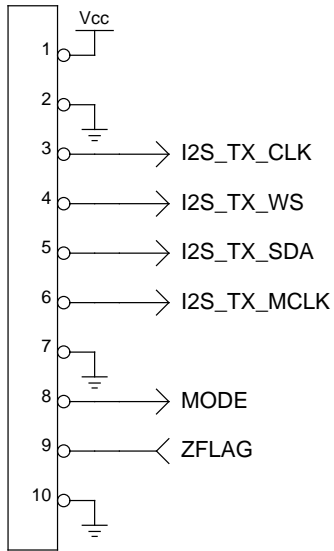
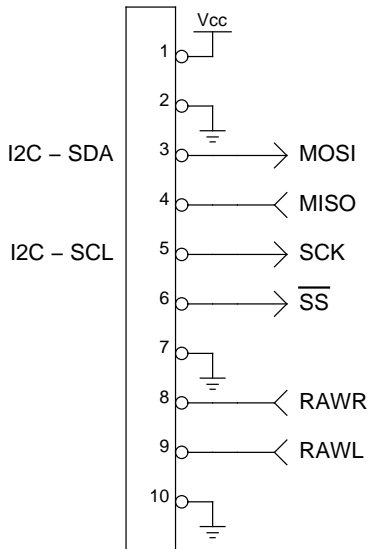


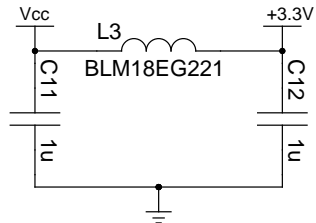
J1



J2

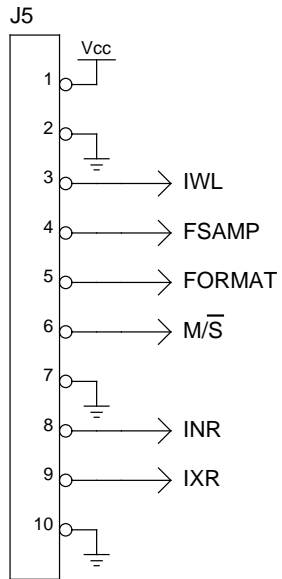
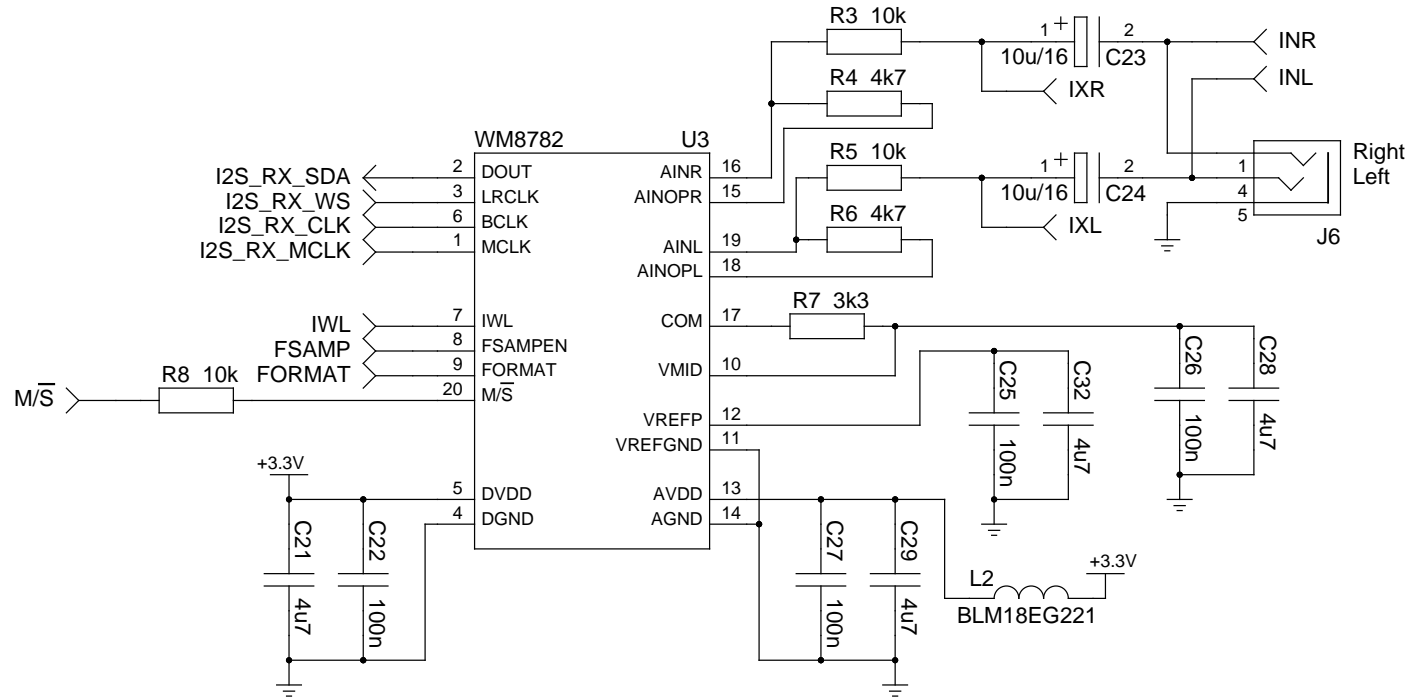
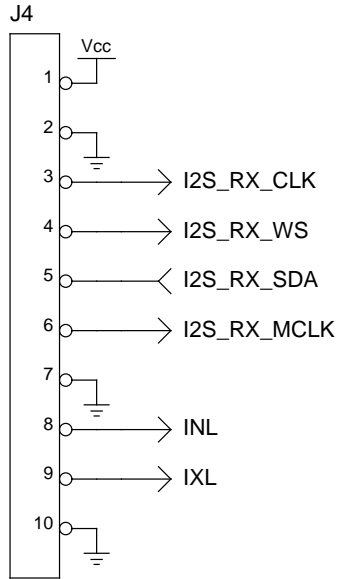


Mode	Pin	SDOUT	SDA	SCLK	CS	CFIMODE	I2C Address selection:			HW Interface mode:		
		12	13	14	15	16	ADDR1	ADDR0		AIFMODE1	AIFMODE0	
SPI		MISO	MOSI	SCK	SS	1	0	0	0x34	0	0	LJ 24 bit
HW		DEEMPH	AIFMODE0	AIFMODE1	MUTE	Z	0	1	0x36	0	1	I2S 24 bit
I2C		ADDR1	SDA	SCL	ADDR0	0	1	0	0x3C	1	0	RJ 16 bit
							1	1	0x3E	1	1	RJ 24 bit

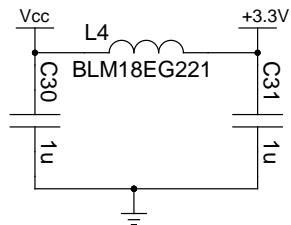


Aud-I/O-out

TITLE		
FILE:	CC-BY-SA-3.0	REVISION: 20121112
PAGE	1 OF 2	DRAWN BY: Vagrear



Audio mode select:		Word length:		Fast sampling rate enable:		Interface mode select:	
FORMAT		IWL		FSAMP		M/S	
0	RJ	0	16 bit	0	48 kHz	0	Slave
1	LJ	1	20 bit	1	96 kHz	1	Master
Z	I2S	Z	24 bit	Z	192 kHz		



Aud-I/O-in

TITLE

FILE: CC-BY-SA-3.0

REVISION: 20121112

PAGE 2 OF 2

DRAWN BY: Vagrearq